

●Preparation for Assembly

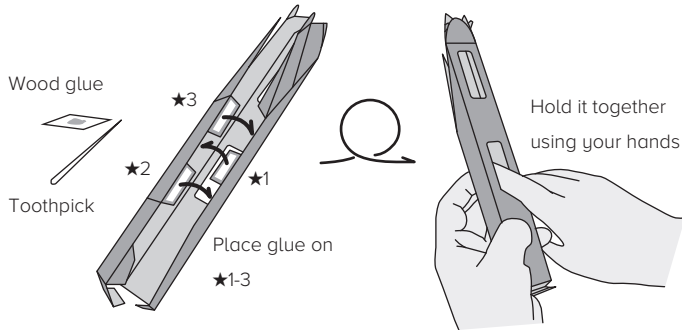
1. Remove parts from the paper.
2. Make creases along the fold lines.

●Things You'll Need

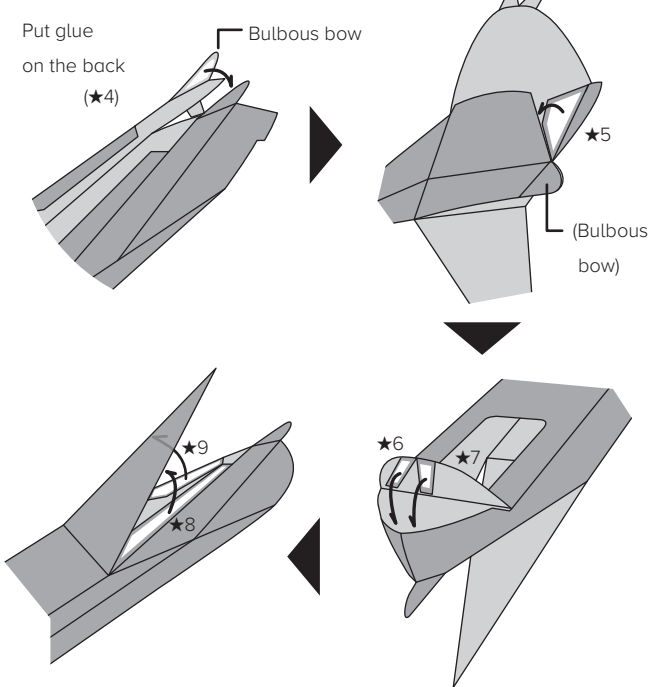
1. Glue (wood glue)
2. Toothpicks (to apply glue)
3. Optional: A tweezers or stick (convenient to pin things down)

- Mountain Fold - - - - - Margin ★Number
 Valley Fold - · - - - - Insert ♥Number
 Guideline - - - - -
 (Indicating position)

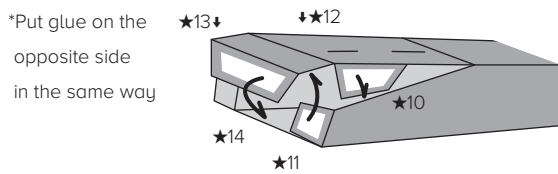
Create the Main Body (1) ★1-★3 (Create the ship's body)



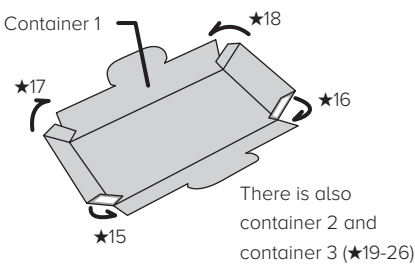
Create the Main Body (2) ★4-★9 (Create the bow)



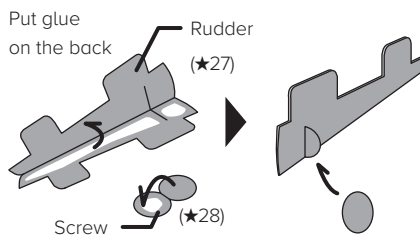
Create the Main Body (3) ★10-★14 (Create the stern)



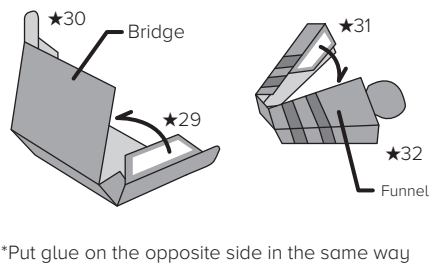
Create Container 1 ★15-★26



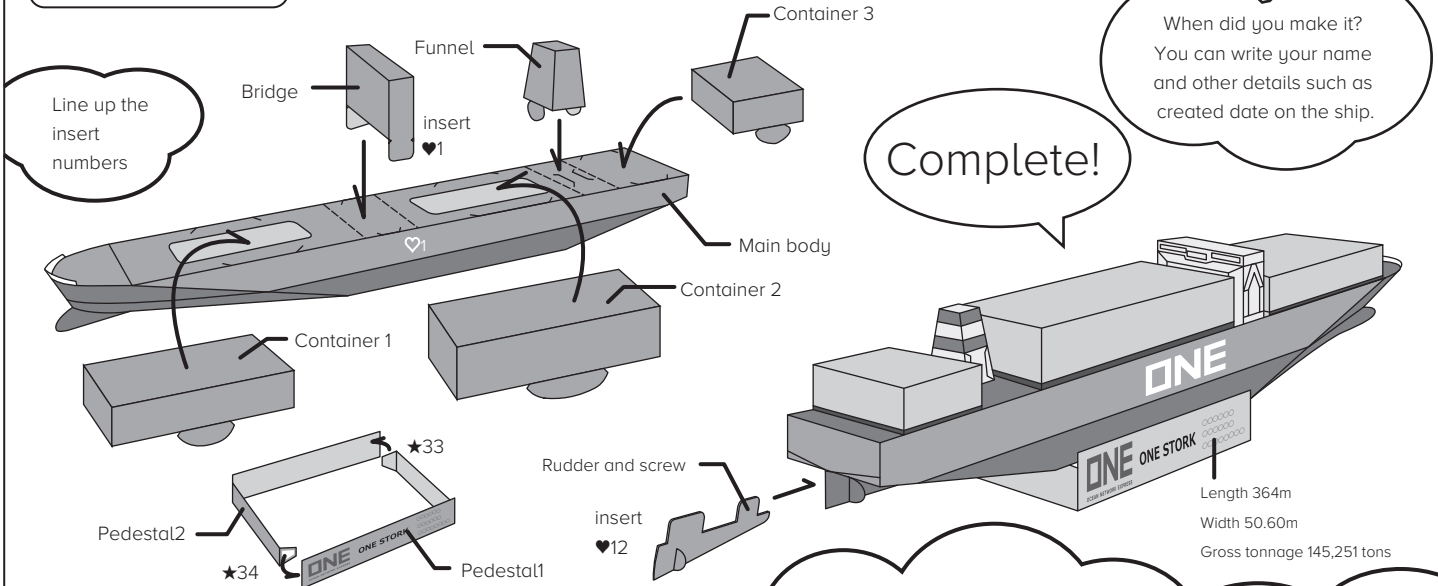
Create the Rudder and Screw (★27-★28)



Create the Bridge and Funnel ★29-★32



Now slot it all together! ★33-★34 ♥1~♥12



You can download PDF from here.
 Print it at home and make it. <https://www.one-line.com/en/brochures>